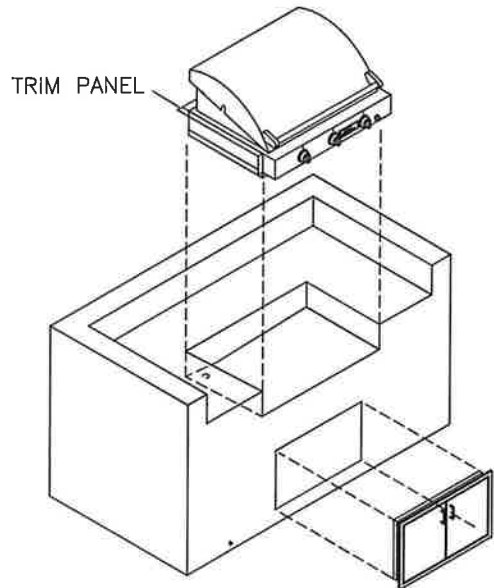
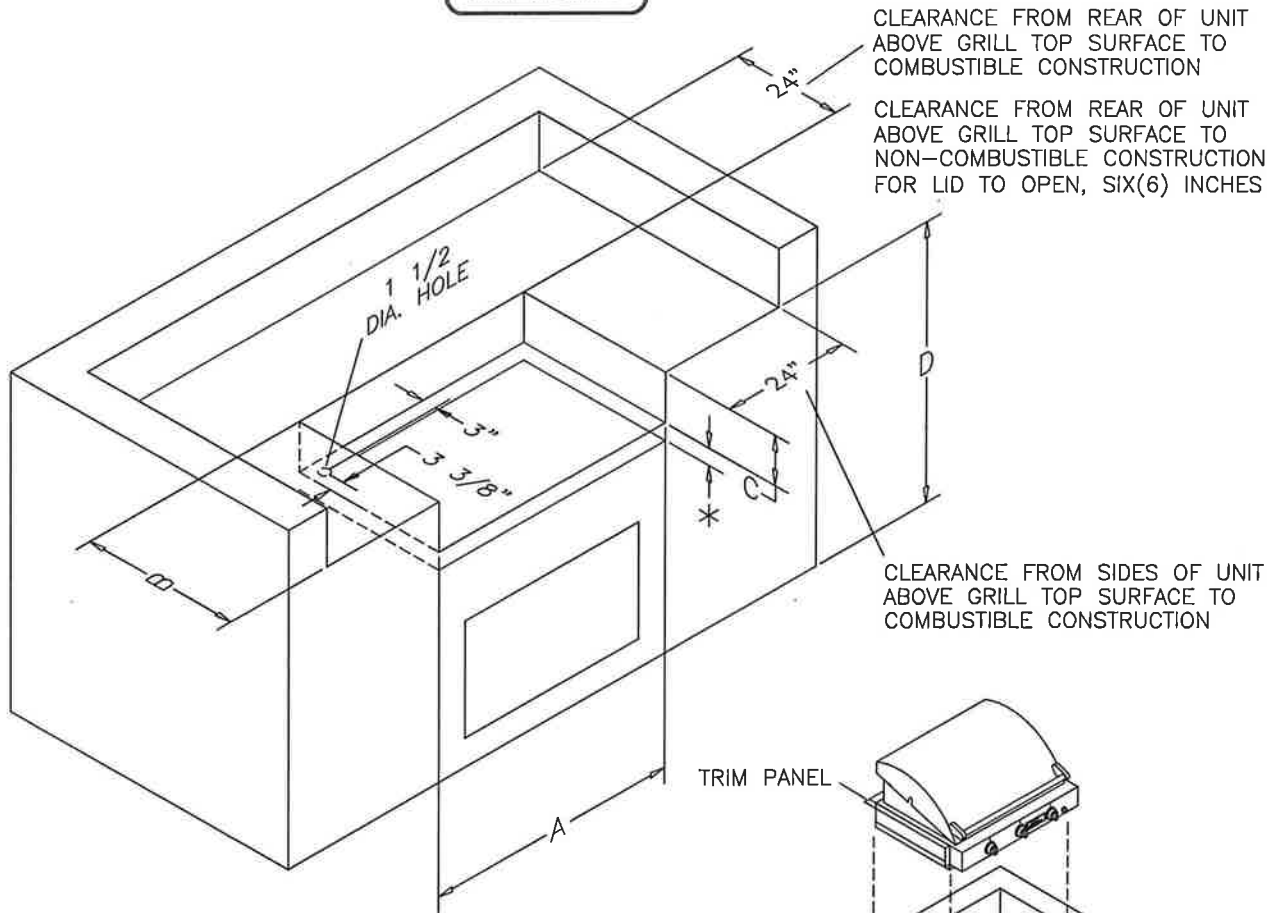


# STERLING G2000, G3000 & G4000 FR BUILD-IN SPECIFICATIONS

## Appendix B: Build-in Specifications (For Sterling G-Series FR)

(Sterling G-3000 FR shown)



DESCRIPTION OF MEASUREMENT		Sterling G2000-FR	Sterling G3000-FR	Sterling G4000-FR
A	HORIZONTAL WIDTH OF OPENING	28 1/2"(72.4 CM)	38"(96.5 CM)	47 1/2"(120.7 CM)
B	HORIZONTAL DEPTH OF OPENING	23 1/16"(58.6 CM)	23 1/16"(58.6 CM)	23 1/16"(58.6 CM)
C*	VERTICAL DEPTH OF OPENING	6"(15.2 CM)	6"(15.2 CM)	6"(15.2 CM)
D	SUGGESTED HEIGHT OF COUNTERTOP	34 1/4"(87.0 CM)	34 1/4"(87.0 CM)	34 1/4"(87.0 CM)

\* ADD 2" IF INSTALLED WITH COMBUSTABLE MATERIAL UNDER GRILL

Combustible or distortable surfaces: wood, wood composites, vinyl, canvas, thatch, plastic, paint, drywall, etc.  
 Noncombustible surfaces: concrete, cement board, tile, stone, mortar, brick, stucco, and metal.

Minimum clearance from sides and back of unit to combustible construction below top of unit: 0" from sides and 0" from back.

Minimum clearance from sides and back of unit to vertical combustible construction extending above top of unit: 24" from sides and 24" from back.

DO NOT USE THIS GAS APPLIANCE UNDER OVERHEAD COMBUSTIBLE CONSTRUCTION.

5" WIDE AREA UNDER FACE PANEL MUST REMAIN UNOBSTRUCTED FOR VENTILATION.

